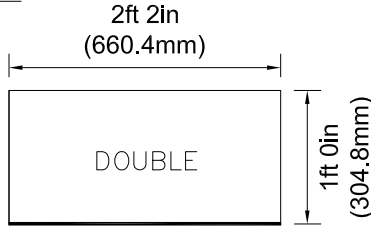
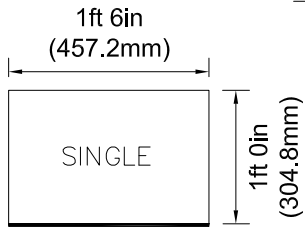


TOP VIEW

SIZES



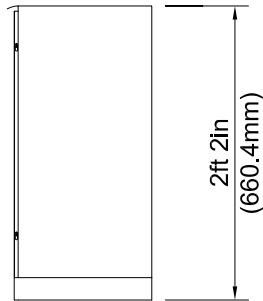
DOUBLE

2ft 2in (660.4 mm) WIDE
 2ft 2in (660.4 mm) HEIGHT
 1ft 0in (304.8 mm) DEEP

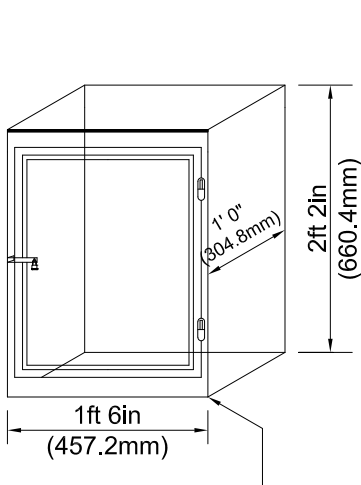
SINGLE

1ft 6in (457.2 mm) WIDE
 2ft 2in (660.4 mm) HEIGHT
 1ft 0in (304.8 mm) DEEP

SIDE VIEW

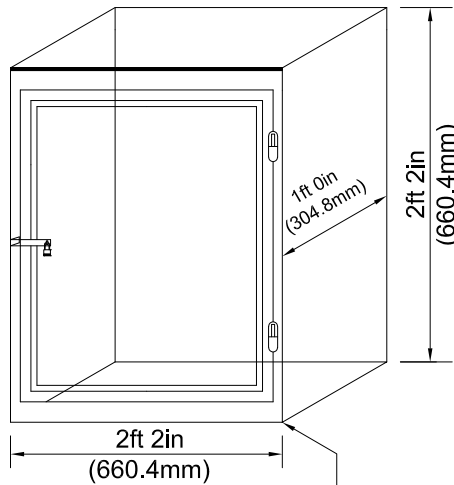


FRONT VIEW



3in (75 mm) LIP ON
 BOTTOM OF CABINET

SINGLE




3in (75 mm) LIP ON
 BOTTOM OF CABINET

DOUBLE

NOTES:

1. A1103 PARK GREEN IN POWDER COATED METAL CABINET.
2. CABINET SHALL BE FITTED WITH SINGLE DOOR MOUNTED ON PIN HINGES.
3. CABINET TO BE WEATHERPROOF LOCKABLE (LOCK TO BE SUPPLIED).
4. CLOSURE BRACKETS, HINGE ATTACHMENTS AND PLYWOOD MOUNTS ARE TO BE WELDED FROM THE INSIDE.
5. EXTERIOR OF CABINET SHALL BE SMOOTH AND ROUNDED WITH NO PROTRUSIONS OR SHARP EDGES EVIDENT.
6. ANY POINT OF ENTRY INTO CABINET WALL SHALL BE SEALED WITH A WATERPROOF SEALER.
7. BUILDING MOUNT 14 GAUGE.
8. 14 GAUGE STEEL CONSTRUCTION
10. SUGGESTED MANUFACTURER ACE MANUFACTURING METALS LTD.
11. CROSSROKE DRIPHOOD
12. 3.4in (19.05mm) PLYWOOD BACKPAN.

		DATE: June 6, 2016		PARKS & RECREATION  Medicine Hat The Gas City	TITLE: SMALL IRRIGATION CONTROLLER CABINET
		SCALE: N.T.S.			
		DRAWN: T.R.			
16	06	06	Edited measurement for imperial	AB	DWG No.: PK203
09	04	14	Removed Scorpio wording	TR	
No	YY	MM	DD	REVISION DESCRIPTION	
		APPROVED: M.M.			Rev.: